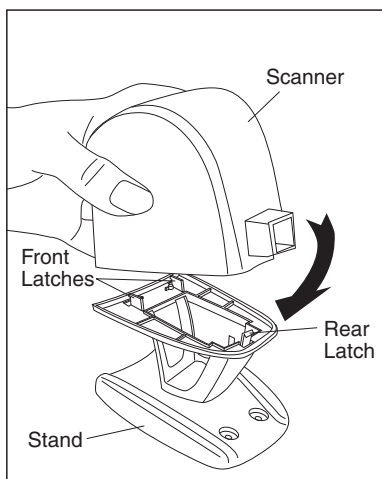
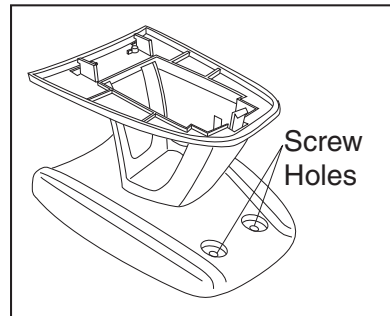


Instructions

Magellan® 1000i Stand Accessory

Securing the Stand

1. To permanently attach the stand to a counter, first determine the best location to position the stand, then secure it with two screws. Some mounting considerations are:
 - Proximity to the host. Verify that the stand will be placed within a reasonable distance of the host, and that any cabling can be routed between the devices without kinking, stretching or exposing cabling to tampering or other potential damage.



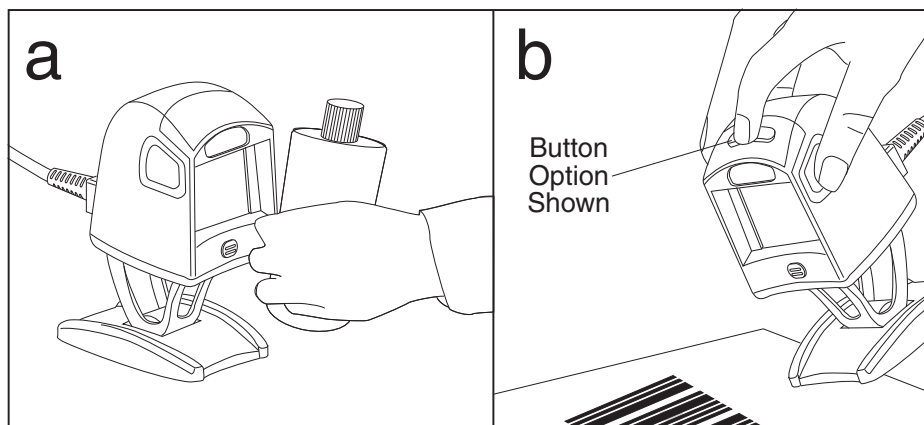
- Stability. Avoid positioning the stand in such a way as to subject it to excess vibration, bumping, spillage, etc.
 - Ergonomics. Ensure the user can easily adjust the angle of the scanner to maximize comfort and efficiency.
2. Alternatively, the optional traction “feet” can be adhered to the bottom of the stand to allow it to be used as a stable freestanding unit.

Mounting the Scanner

Engage the front latches as shown in the illustration, then rotate the rear of the scanner down onto the stand to secure the scanner in the rear latch.

Using the Mounted Scanner

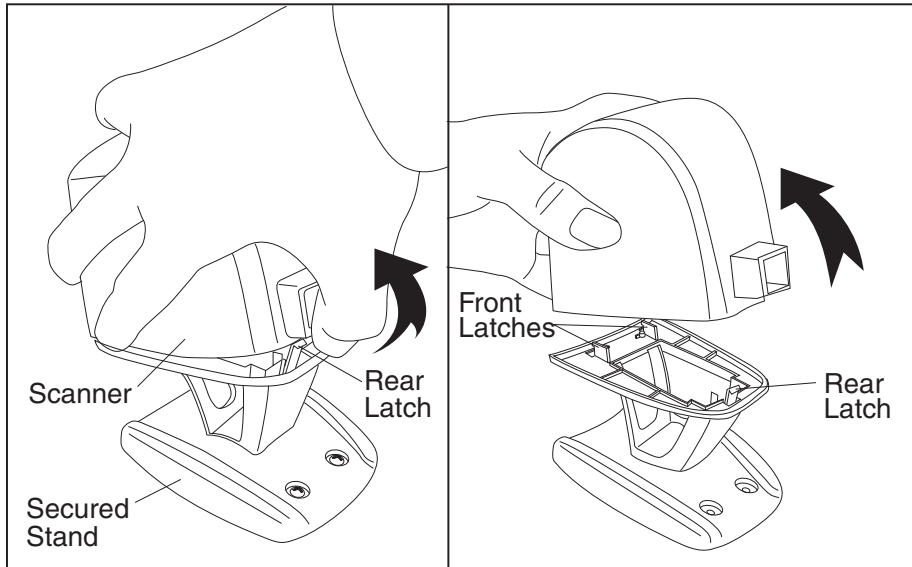
The stand is primarily designed to allow hands free use of the scanner as shown in view [a] below, however, with its compact size and light weight, the scanner can easily be handled with the stand attached as shown in



view [b]. This is particularly handy with scanners featuring the optional scan button.

Detaching the Scanner

As described above, it is unnecessary to remove the scanner from the stand in order to use it. It can be detached, however, by grasping the scanner as shown and rotating the rear up and away from the stand to disengage the rear latch, then the opposite end away from the front latches.



Adjusting the Scan Angle

The stand can be rotated vertically to provide the optimal angle for scanning items at your installation.

